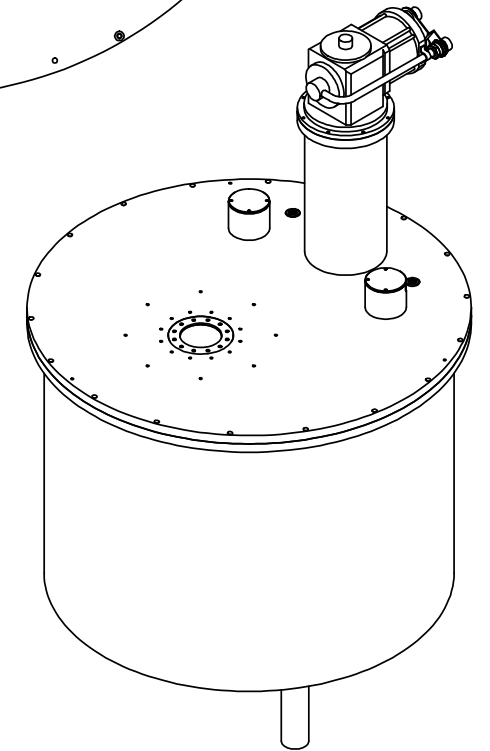


Mounting Holes : Top Only
 (8) Plcs 1/4-20 UNC Helicoil Tap x 0.50
 45° Apart on a $\varnothing 11.00$ " B.C.



MATERIAL:

FINISH:
 As Machined

QUANTITY:
 1

DO NOT SCALE UNLESS OTHERWISE INDICATED: TOLERANCES: 0.X = +/-0.1 0.XX = +/-0.01 0.XXX = +/-0.005 ALL DIMENSIONS IN INCHES BREAK ALL EDGES	DRAWN Botello ENGINEER	10/14/2008	Cryomagnetics, Inc. 1006 Alvin Weinberg Drive Oak Ridge, TN 37830		
	CHECKED Berryhill	6/12/2007	TITLE W05495C 12 tesla Cryogen-Free Magnet System		
			SIZE C	DWG NO 5495C-C001	REV 0
			SCALE 1:8	SHEET 1 OF 1	