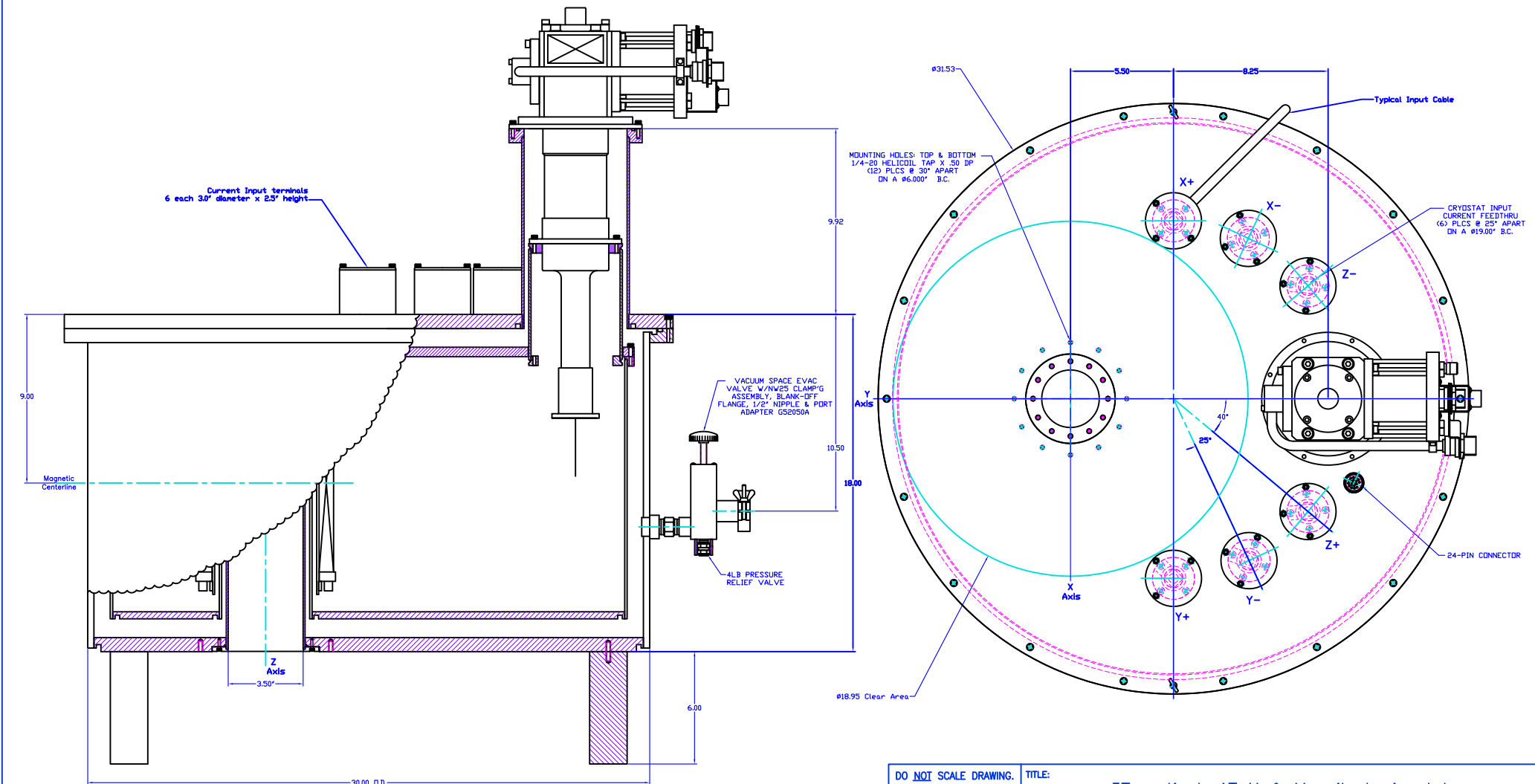


Process	Date:	By:
Lathe		
Mil		

REV.	DATE	BY	DESC.



DO NOT SCALE DRAWING.
UNLESS OTHERWISE INDICATED:
TOLERANCES:
0.XX = ±.010
0.XXX = ±.005
ALL DIMENSIONS ARE EXPRESSED IN INCHES.
PARTS TO BE BURR FREE.
BREAK ALL SHARP EDGES.

TITLE: 5T vertical, 1T X & Y coils horizontal 3 AXIS CRYOGEN-FREE MAGNET SYSTEM		REF:	DRWN BY: TBO/RWM	DRAWING NO:
CAD FILE: C20693D5	DATE: 4/15/2008	C-20693-D5		
DSK #:	APPRV:	SCALE: NTS	REV: 5	