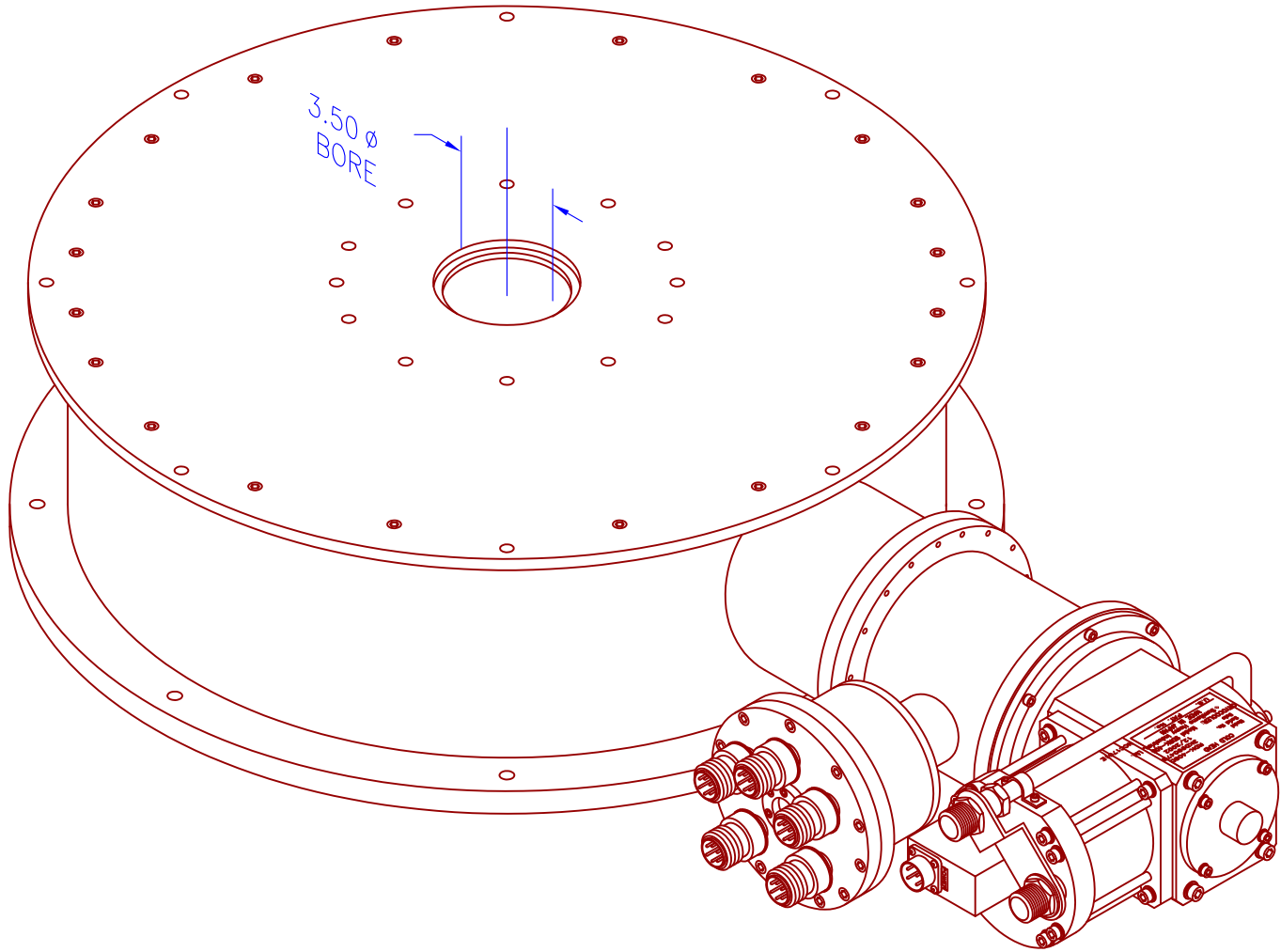


Process	Date:	By:
Lathe		
Mill		

REV.	DATE	BY	DESC.



DO NOT SCALE DRAWING.
 UNLESS OTHERWISE INDICATED:
 TOLERANCES:
 0.XX = ± 0.010
 0.XXX = ± 0.005
 ALL DIMENSIONS ARE EXPRESSED IN INCHES.
 PARTS TO BE BURR FREE.
 BREAK ALL SHARP EDGES.

TITLE:		LIQUID CRYOGEN-FREE GYROTRON SUPERCONDUCTING MAGNET	
REF:	DRWN BY: JMS	DRAWING NO:	
CAD FILE: C72293B	DATE: 10/02/03	C-72293-B	
DSK #: 70-58	APPRV:	SCALE: NTS	REV: 0